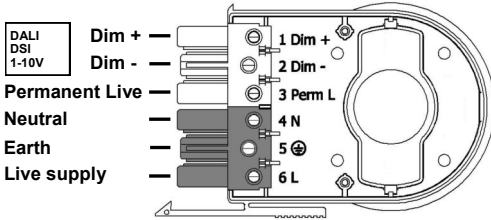


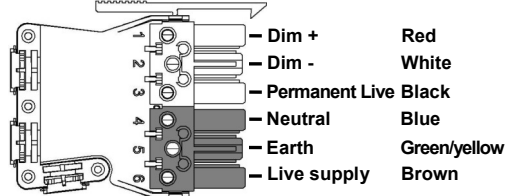
VITM6-ROSE

Vitesse Modular Ceiling Rose - 6 pole

Mains wiring



Connector wiring

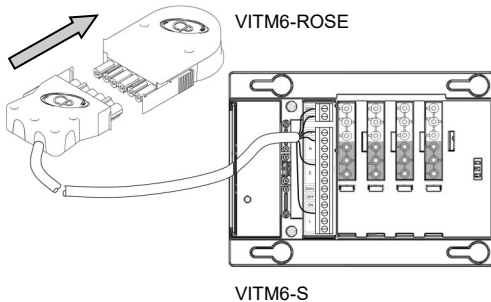


Standard cable core colours used by CP Electronics

VITM6-S connection

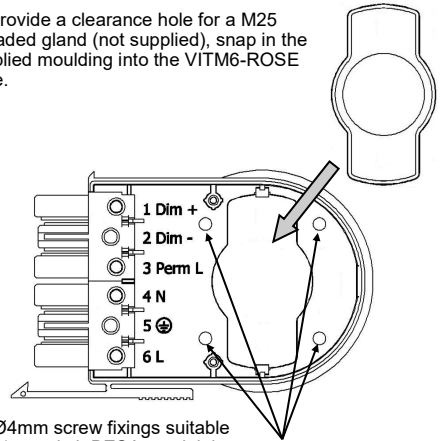
Use a VITM6-ROSE when there is a need to take power and dimming signal from a conduit box. Wire the end of the flexible lead into the terminals of the VITM6-S before plugging the connector into the VITM6-ROSE.

See *VITM6-S Product Guide* for wiring connection details.



Fixings

To provide a clearance hole for a M25 threaded gland (not supplied), snap in the supplied moulding into the VITM6-ROSE base.



4 x Ø4mm screw fixings suitable for 51mm pitch BESA conduit box.

Technical data

Voltage 230V a.c.
Frequency 50Hz
Terminal capacity 2.5mm²
Temperature 0°C to 40°C
Current rating 16A
Compliance LVD-2014/35/EU
For further compliance information visit www.cpelectronics.co.uk/compliance

For lighting purposes only with suitable circuit protection. For fixed wiring only. Single phase use only.



IMPORTANT NOTICE!

This device should be installed by a qualified electrician in accordance with the latest edition of the IEE wiring regulations.



C.P. Electronics Ltd

Brent Crescent
London
NW10 7XR
United Kingdom
Tel: + 44 (0) 333 900 0671
Fax: + 44 (0) 333 900 0674
www.cpelectronics.co.uk
enquiry@cpelectronics.co.uk